



A SYSTEM FOR ALL REQUIREMENTS

DRAABE TurboFogNeo Air Humidification



 **condair**
systems

YOUR BENEFITS

DRAABE TURBOFOGNEO AIR HUMIDIFICATION



Flexible positioning

Contrary to rigid pipe systems, the individual devices can be positioned exactly where humidification is required. All wall devices can be swivelled both horizontally and vertically.



Energy-efficient high-pressure nozzle system

Micro-fine atomization without compressed air, steam or ultrasound. With the use of frequency-controlled, high-pressure pulsation, only as much pressure is generated as is required for the actual output level configured. This saves additional money and energy.

Individual combination

From high halls to small rooms and winding spaces, the various devices can be combined with each other as required to achieve the ideal humidification results.

Minimal dimensions

The tiny devices adapt perfectly to the spatial conditions and allow small, energy-saving ventilators to be used.



Precise humidification

A digital control system guarantees precise activation of the air humidification. High-performance radial ventilators allow the aerosols to be distributed quickly into the air.

Stainless steel technology

All hydrophilic parts are made of high-quality stainless steel for a high level of value stability and hygiene.

Certified hygiene

The base system fulfils all of the requirements specified by the German Social Accident Insurance (DGUV) and has been awarded the international "Optimized Air Humidification" certificate. All DRAABE system components are also certified to Sheet 6 of VDI Standard 6022 and therefore incorporate recent technological developments.



ONE SOLUTION – LOTS OF COMBINATIONS

DRAABE TURBOFOGNEO AIR HUMIDIFICATION



DRAABE TurboFogNeo 8



DRAABE TurboFogNeo 1



DRAABE TurboFogNeo 2 x 1



DRAABE TurboFogNeo 2

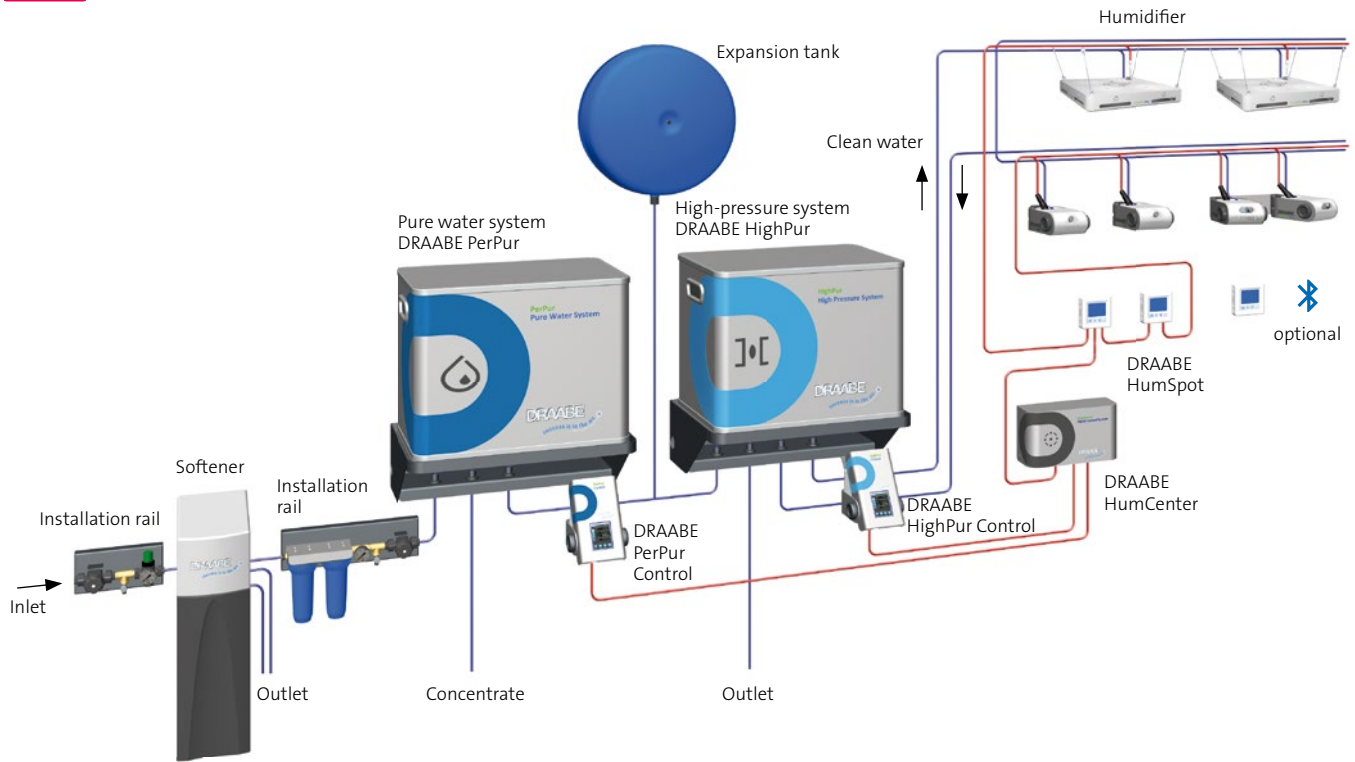


DRAABE TurboFogNeo 2 x 2

The air humidification system DRAABE TurboFogNeo has been designed for individual use in various spatial conditions. The flexible combination options of the varying devices ensure ideal humidification results as well as economic efficiency.

THE SYSTEM

DRAABE TURBOFOGNEO AIR HUMIDIFICATION

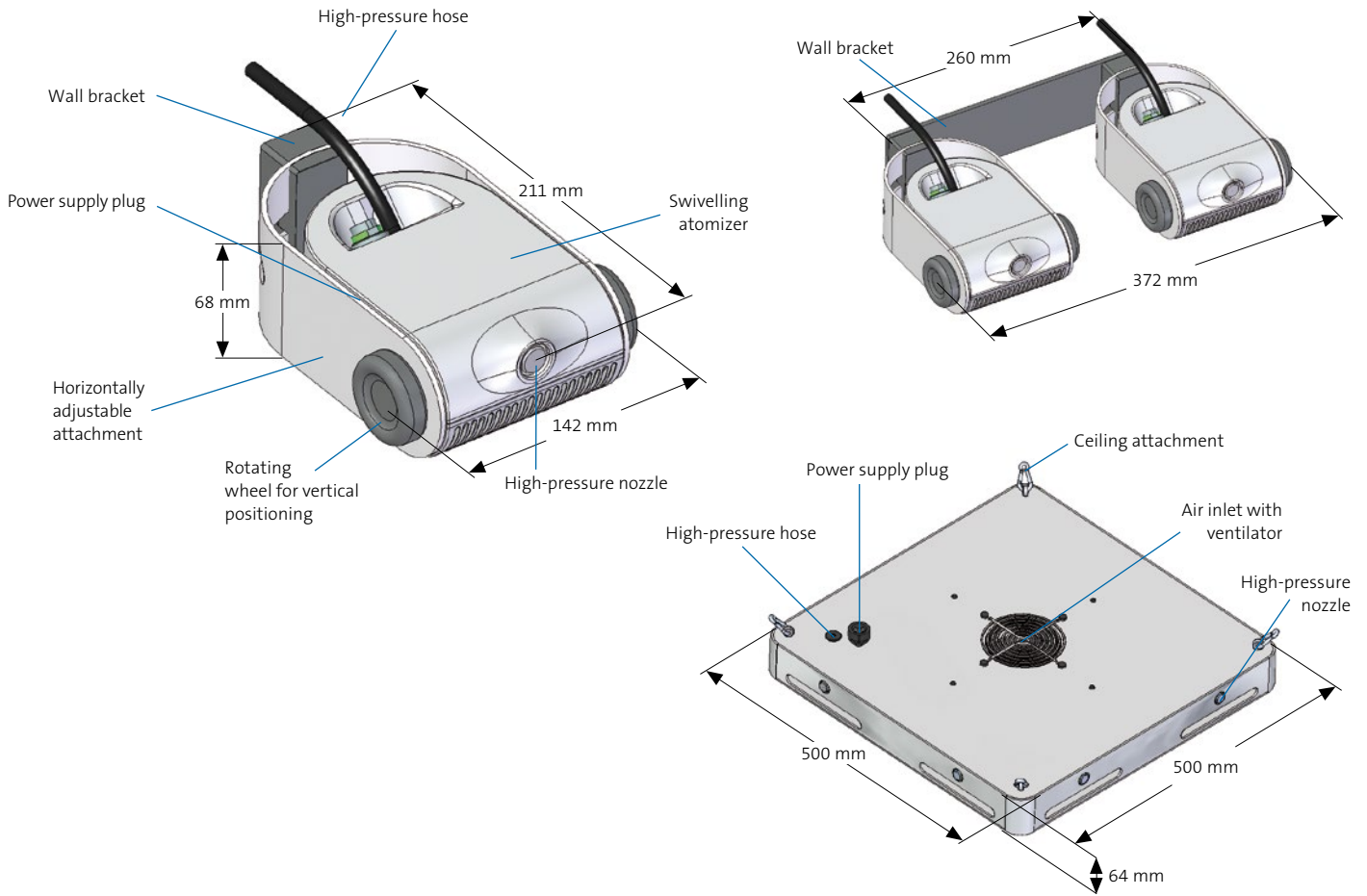


Technical details	DRAABE TurboFogNeo 1	DRAABE TurboFogNeo 2	DRAABE TurboFogNeo 2x1	DRAABE TurboFogNeo 2x2	DRAABE TurboFogNeo 8
Performance (kg/h) max.*	4	8	8	16	32
Operating pressure	ca. 85 bar				
Droplet size (Sauter)	< 15µm				
Power supply	230VAC, 50 – 60Hz, + –10% 24VDC + –10%				230VAC, 50 – 60Hz, + –10%
Power consumption (W)	6,2	6,2	12,4	12,4	34
Weight (kg)	1	1,1	2,2	2,4	8

*The performance depends on the nozzle used

THE SYSTEM

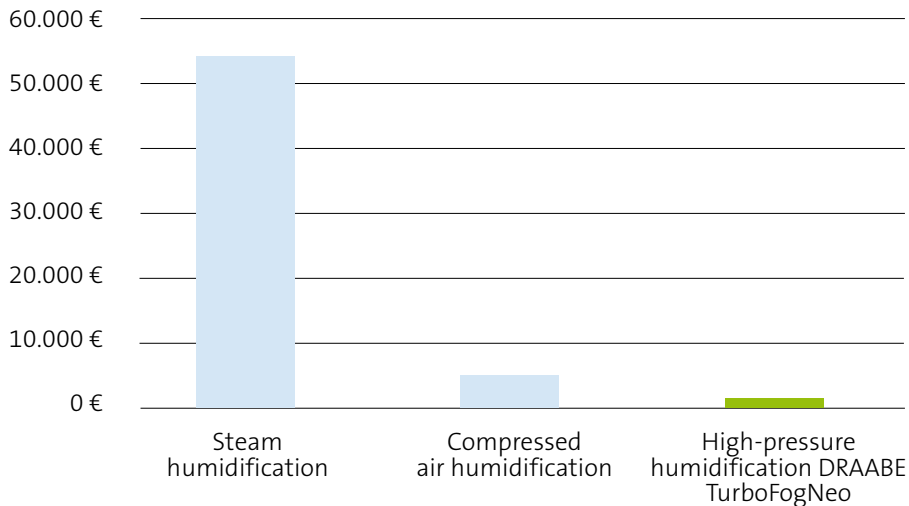
DRAABE TURBOFOGNEO AIR HUMIDIFICATION



Energy cost comparison on an annual basis

Calculation basis:

- Humidification performance: 150 kg/h
- Power-on time: 3,000 hours p. a.
- Electricity price: 0.12 €/kWh



PURE WATER AND HIGH PRESSURE

DRAABE TURBOFOGNEO AIR HUMIDIFICATION



It's all about the right water!

For trouble-free and 100 % hygienic operation of the DRAABE TurboFogNeo air humidification system, the pure water system DRAABE PerPur produces highly pure water. Minerals and the finest impurities are filtered out and diverted in the form of a concentrate.

Advantages:

- No lime scale deposits in lines and nozzles
- Minimized amount of mineral discharge into the air
- Constant performance

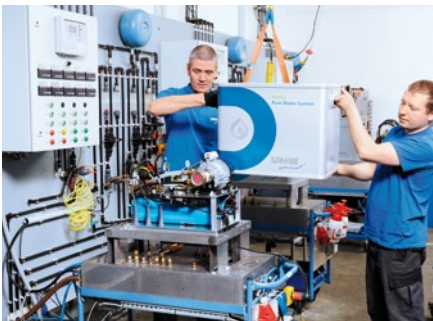


Don't accept anything less!

The key component of the DRAABE high-pressure air humidification system is the centrally installed high-pressure system DRAABE HighPur. With an operating pressure of 85 bar, the system creates a pulsating hydraulic flow which in turn creates the micro-fine, absolute dripfree, pure water atomization.

Advantages:

- Low operating costs and resource-efficient
- High level of health protection thanks to the automated hygiene functions
- Microfine pure water atomization



Don't worry about a thing ...

Thanks to the full-service rental system, the DRAABE Pur systems are automatically maintained every six months. Every 6-8 months, users of DRAABE air humidification receive a fully inspected and disinfected replacement device without having to take care of maintenance themselves.

Advantages:

- 100 % hygiene
- Life-long guarantee
- Consistent state-of-the-art technology



DIGITAL CONTROLS

DRAABE TURBOFOGNEO AIR HUMIDIFICATION



 optional

DRAABE HumSpot

The DRAABE HumSpot controls and monitors the humidification of the individual zones (e.g. rooms and working areas). The simple menu navigation guarantees a high level of operating ease and comfort.

Your advantages:

- Precise activation of the humidifiers when the humidity falls below the setpoint
- High level of measuring precision thanks to digital, capacitive humidity analysis technology
- Continuous status display of relative humidity and room temperature
- Wireless version (optional) for easy retrofitting

DRAABE HumCenter

As the central data centre for the entire air humidification system, the DRAABE HumCenter monitors and analyses all humidification zones and the functions of all DRAABE Pur containers.

Your advantages:

- High level of reliability due to continuous status monitoring of all zones and DRAABE Pur systems
- Monitoring of maintenance instructions
- Extensive analysis functions thanks to long-term data storage
- Connection and data transfer to the building services management system (BACnet) is possible



HYGIENE AND SAFETY

DRAABE TURBOFOGNEO AIR HUMIDIFICATION

Trust is good – certification is better!

As the first system for direct room air humidification, DRAABE air humidification is certified to the new VDI Standard 6022 Sheet 6. This standard defines the best available technology and practices with respect to the planning, installation, operation and maintenance of decentralised humidification systems, which means that installed DRAABE systems can be tested and certified on site by the operator in accordance with VDI requirements.

VDI certification guarantees all customers with DRAABE systems fully hygienic operation, compliance with the required hygiene measures, inspection intervals and germ limits, and therefore provides effective protection against liability risks.

The “Optimised Air Humidification” certificate from German Social Accident Insurance (DGUV) is a system certificate required for the successful VDI certification of DRAABE systems.



Hygiene first



Hygiene first



Flexibility



Energy saving



Green & lean

Condair Systems GmbH

Nordportbogen 5

22848 Norderstedt

Germany

Phone: +49 40 853277-0

Fax: +49 40 853277-44

E-Mail: info@condair-systems.eu

Internet: www.condair-systems.eu